

EFFICIENT SOLUTIONS  
FOR A BRIGHTER FUTURE



# LED Crane Light WT-10872

CE RoHS E24



## SPECIFICATION

**LED Power:** High-power Cree LED 24pcs\*3w

**Operating Volt:** 10-48V DC

**Color :** Blue /Red / White

**Operation temperature:**-40°C~60°C

**Waterproof rate:** IP 68

**Beam:** Spot/line beam

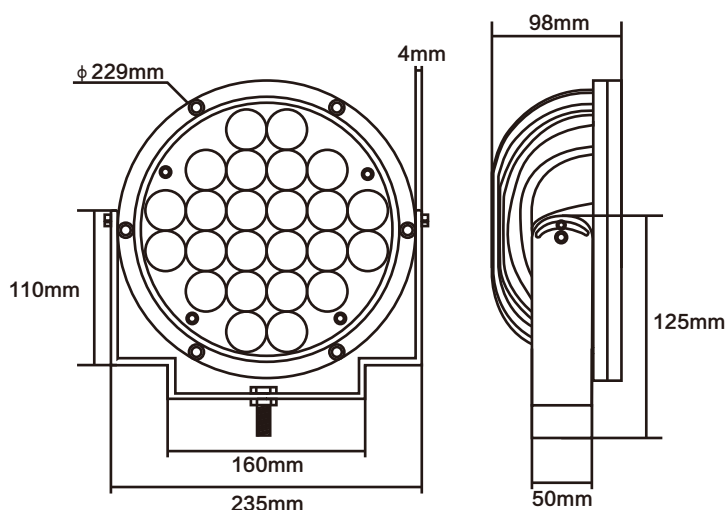
**Material:** Diecast aluminum housing, stainless steel bracket

**LENS:**PMMA

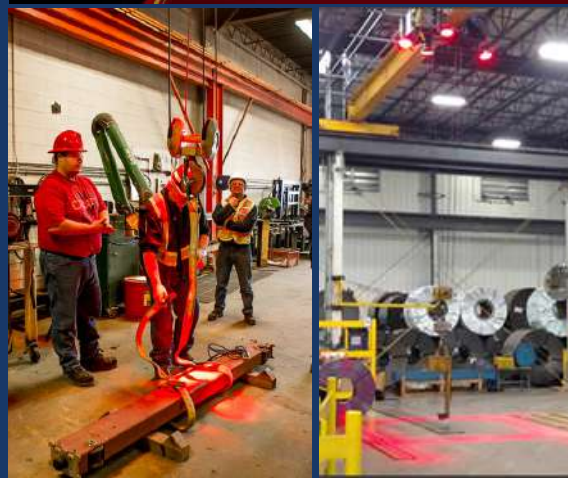
**Warranty:** 2 year

About 50000 hours life time

## Size(mm)



## Picture



FORKLIFT WORK LIGHT

WETECH ELECTRONIC TECHNOLOGY LIMITED



mail:info@wetechnk.com

Website:www.wetechnk.com

Address:Rooms 1318-19,13/F,Hollywood Plaze,610 Nathan Road,Mongkok,Kowloon,Hong Kong  
No.238 Shinxin Road,Xintang Town Zengcheng District,Guangzhou,China